
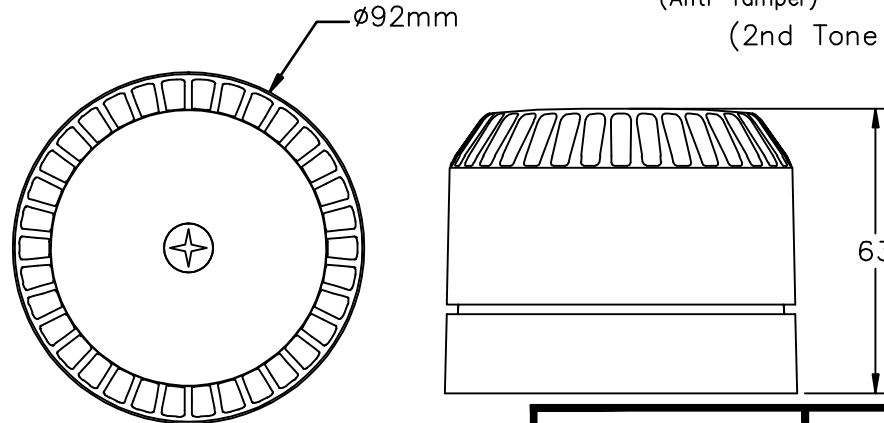
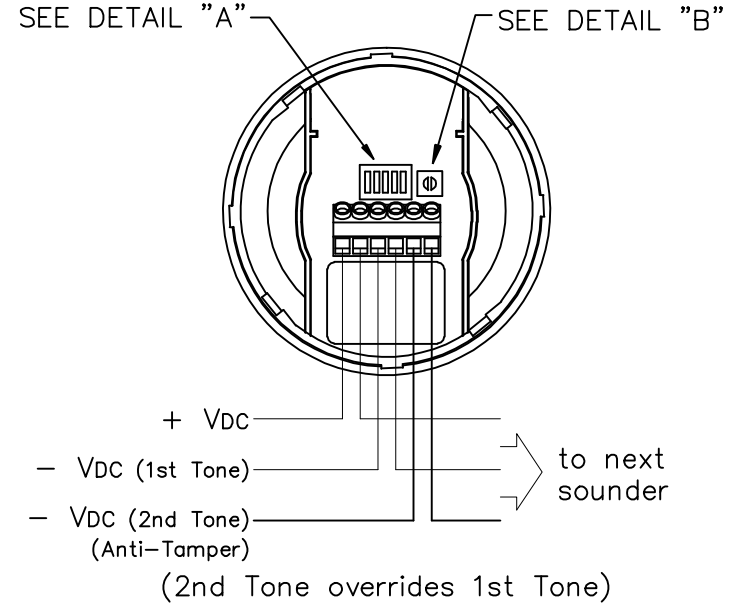


THIS DOCUMENT CONTAINS DATA PROPRIETARY TO PROJECTS UNLIMITED, INC. ANY USE OR REPRODUCTION, IN ANY FORM, WITHOUT PRIOR WRITTEN PERMISSION OF PROJECTS UNLIMITED, INC. IS PROHIBITED.
 ©2005, Projects Unlimited Inc.

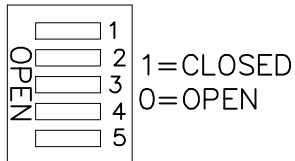
SPECIFICATIONS

PARAMETERS	VALUES	UNITS
RATED VOLTAGE	24	Vdc
OPERATING VOLTAGE RANGE	9-28	Vdc
TONE OUTPUT	SEE 32 TONE CHART	-
RATED CURRENT	SEE 32 TONE CHART	mA
INGRESS PROTECTION	IP65 	-
COLOR	WHITE	-
OPERATING TEMPERATURE	-25 ~ +70	°C
HOUSING MATERIAL	ABS	-
TERMINAL MATERIAL	SCREW	-
WEIGHT	240	grams

REVISIONS			
LTR	DESCRIPTION	DATE	APPROVED
-	RELEASED FROM ENGINEERING	12/15/05	
A	ADDED BASE & RoHS NOTES	5/18/07	R.W.



DETAIL "A"



DETAIL "B" VOLUME CONTROL



OPTIONAL BASE
 DEEP BASE: AWA-DBW
 U BASE: AWA-UBW
 120Vac BASE: AWA-DBW-120

NOTES:

1. ALL DIMENSIONS ARE IN MILLIMETERS.
2. SPECIFICATION SUBJECT TO CHANGE OR WITHDRAWAL WITHOUT NOTICE.
3. FOR SECOND TONE, CONNECT THIRD WIRE TO -VE.
4. THIS PART IS RoHS 2002/95/EC COMPLIANT.
5. IP65 WITH USE OF AWA-DBW, AWA-DBW-120, OR AWA-UBW BASE.

FILE NAME
 AW-15LPSBW.DWG

UNLESS OTHERWISE SPECIFIED:
 DIMENSIONS ARE IN MILLIMETERS, TOLERANCES ARE ±0.5 AND ANGLES ARE ±3°.

APPROVALS	DATE
DRAWN J.A.F.	12/05
CHECKED E.P.	12/05
APPROVED B.R.	12/05

 projects unlimited Dayton, Ohio

SIREN

SIZE A DRAWING NO. AW-15LPSBW

DO NOT SCALE DRAWING SCALE: N.T.S. SHEET 1 OF 1